



SCI-PRINT MP2+

The Scinomix SCI-PRINT MP2+ is a benchtop, high-throughput, fully automated barcode label printer for use with a variety of SBS footprint microplates and deepwell blocks. In addition to the standard features offered on the SCI-PRINT MP2, the SCI-PRINT MP2+ includes two vertical stackers for loading and unloading microplates. Plates are loaded into an input stacker, processed at the printing platform, and moved to the output stacker.

FEATURES

- Removable stackers for easy loading and unloading
- Stacker capacity for 50 half height microplates without lids or 13 deep well blocks
- Thermal transfer printer (300 or 600 dpi)
- Labels can be applied to all sides of the plates in any combination
- User adjustable label height
- Standard label size 0.25" h x 2.0" w
- User-configurable label text with multiple barcode formats

FAST CYCLE TIMES

- 20 seconds per plate for 4 sided labeling
- 10 seconds per plate for 1-2 sided labeling



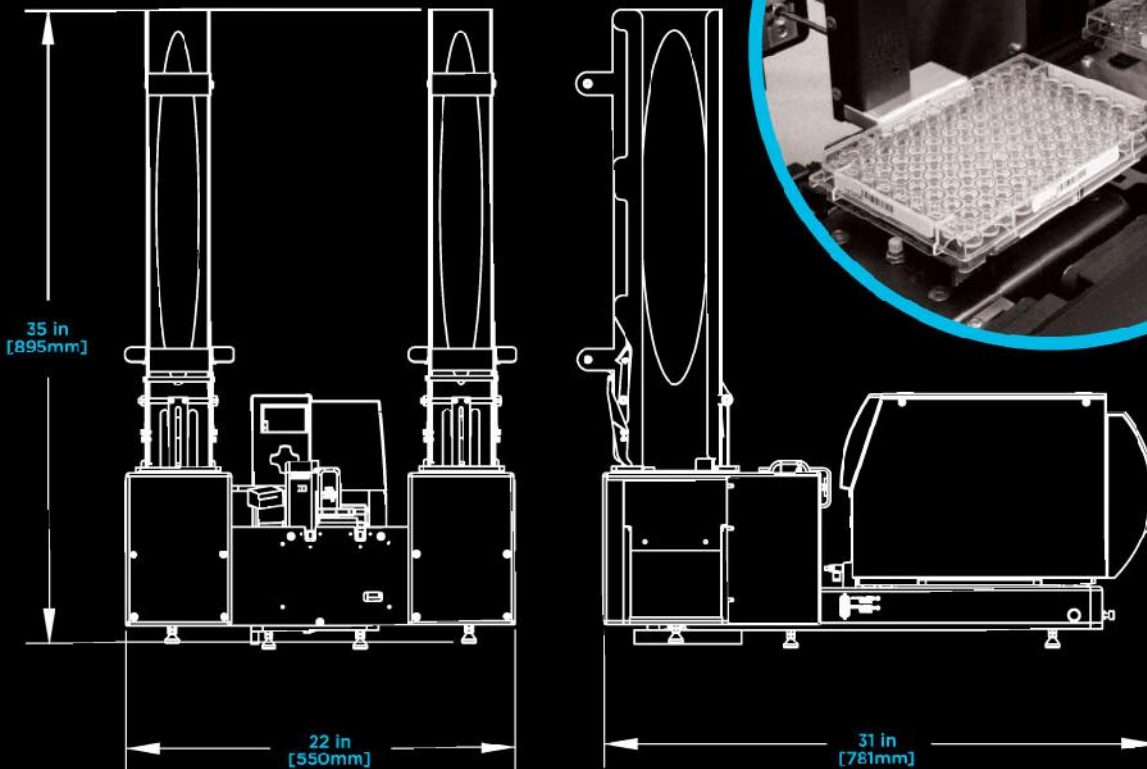
scinomix.com

4069 Wedgeway Court ○ Earth City, MO 63045 ○ P 314.298.9800 ○ F 314.298.8111





scinomix



OPTIONS

- Laser Barcode Reader
- HEPA filter enclosure
- Automated Lid Handling Capability (Coming soon!)

OPERATING REQUIREMENTS

- RS232 interface to PC
- Power: 110-230 VAC at 5 amps
- Air: 90 psi at 1 cfm
- Windows based PC

SOFTWARE FEATURES

- Automated launching of user definable scripts or programs to interface with external data systems
- Full diagnostic and test utilities for easy troubleshooting
- Batch or continuous operation modes

scinomix.com

4069 Wedgeway Court  Earth City, MO 63045  P 314.298.9800  F 314.298.8111



Biogenuix[®]

Imported & Marketed in India by:

Biogenuix Medsystems Pvt. Ltd.

412-B, Jyoti Shikhar Building, District Center, Janakpuri, New Delhi-110058, INDIA

Phone : +91-11-4875 4875 • Fax : +91-11-2561 2008

E-mail : contact@biogenuix.com • Web : www.biogenuix.com